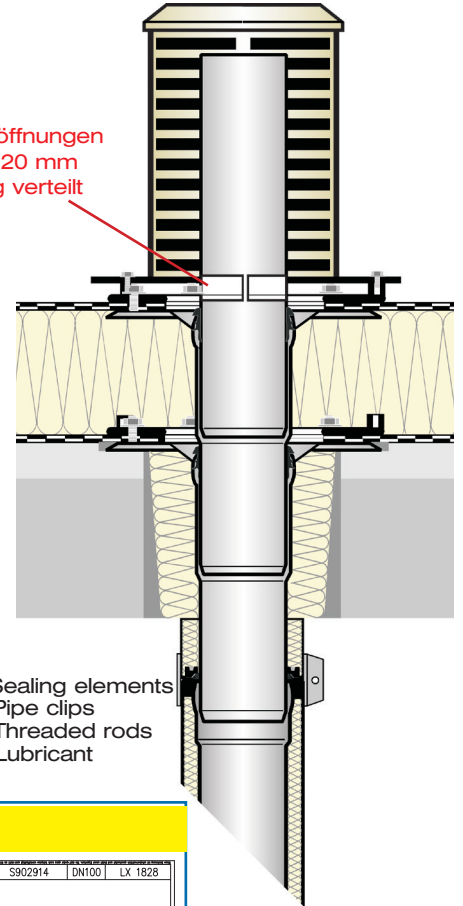


Specification sheet LX 1828

Retention roof drainage Series 84 DRAINLET® with variable retention

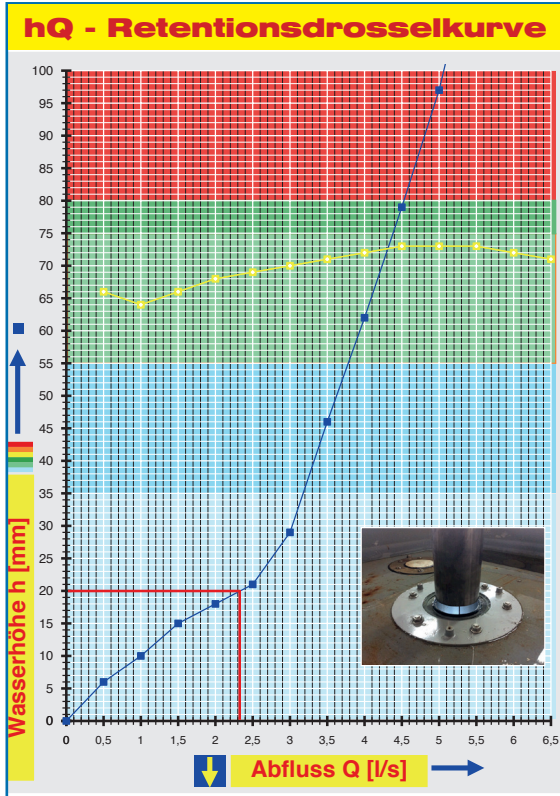
Main drainage	
Gravity flow	
Silent	
Discharge rate:	3,2 l/sec
Water height:	35 mm
Roof penetration:	-
Diameter:	DN 100
LX-Number:	LX1828
Weir height:	0 mm
Drain:	ventilated
Downpipe:	not ventilated
Downpipe height:	4,2 m
Drainage:	in sewer
Flange:	Clamping flange

3 Retentionsöffnungen
103 mm x 20 mm
auf Umfang verteilt

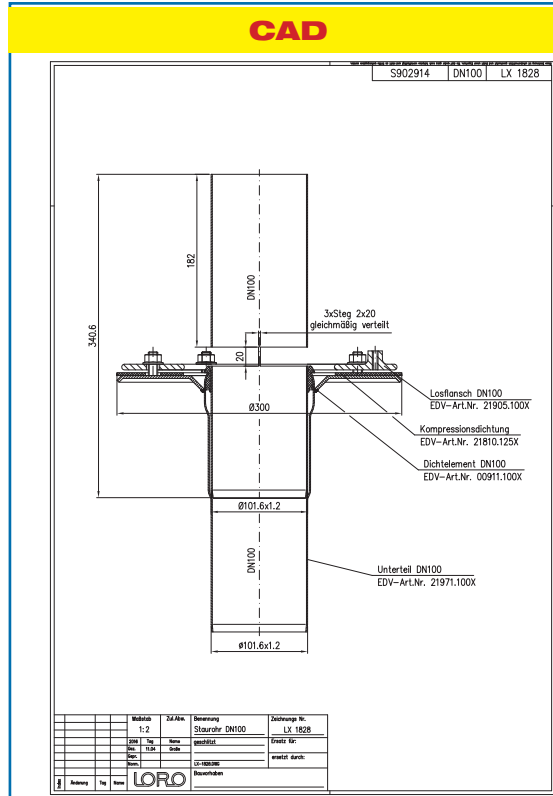


LX 1828 Piece list

- | | |
|--|--|
| 1 x Art.-No. 41511.100X, Retention roof drainage | 6 x Art.-No. 09911.100X, LORO X Sealing elements |
| 1 x Art.-No. 01401.100X, LORO-X Pipe with one socket | 3 x Art.-No. 00975.100X, LORO-X Pipe clips |
| 2 x Art.-No. 00300.100X, LORO-X Bend | 3 x Art.-No. 09604.100X, LORO-X Threaded rods |
| 1 x Art.-No. 01004.100X, LORO-X Pipe with one socket | 1 x Art.-No. 00986.000X, LORO-X Lubricant |
| 1 x Art.-No. 05510.100X, LORO-X Stand pipe | |



Systempower



Systemshape

Water height	mm	10	15	20	25	30	35	40	45	50	55	60	65	70	75	80	85	90
Discharge	l/sec	1,0	1,5	2,3	2,7	3,0	3,2	3,3	3,5	3,6	3,8	3,9	4,1	4,2	4,4	4,5	4,7	4,8
Silent																		

LORO-X Retention roof drainage

LX 1828-5X

Retention roof drain
 Art.-No. 41511.100X
 Weight: 5,6 kg

with clamping flange
 for bituminous and plastic roofing sheets

